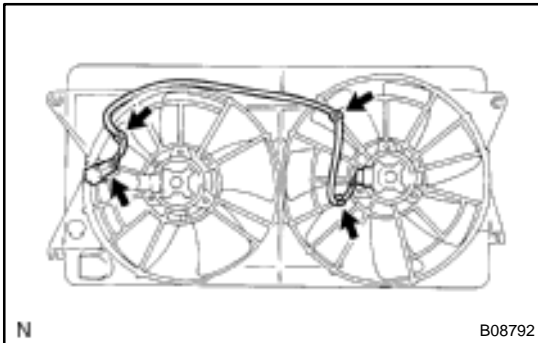


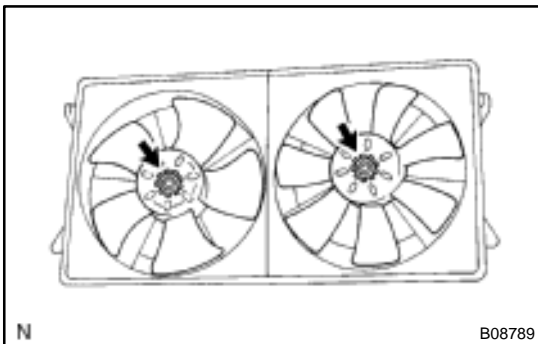
REASSEMBLY

1. INSTALL FAN MOTORS

- (a) Install the fan motor with the 3 screws.
Torque: 2.55 N·m (26 kgf·cm, 23 in.-lbf)



- (b) Install the wire and connector holder to the fan shroud.



2. INSTALL FANS

Install the fan with the nut.

Torque: 6.18 N·m (63 kgf·cm, 55 in.-lbf)